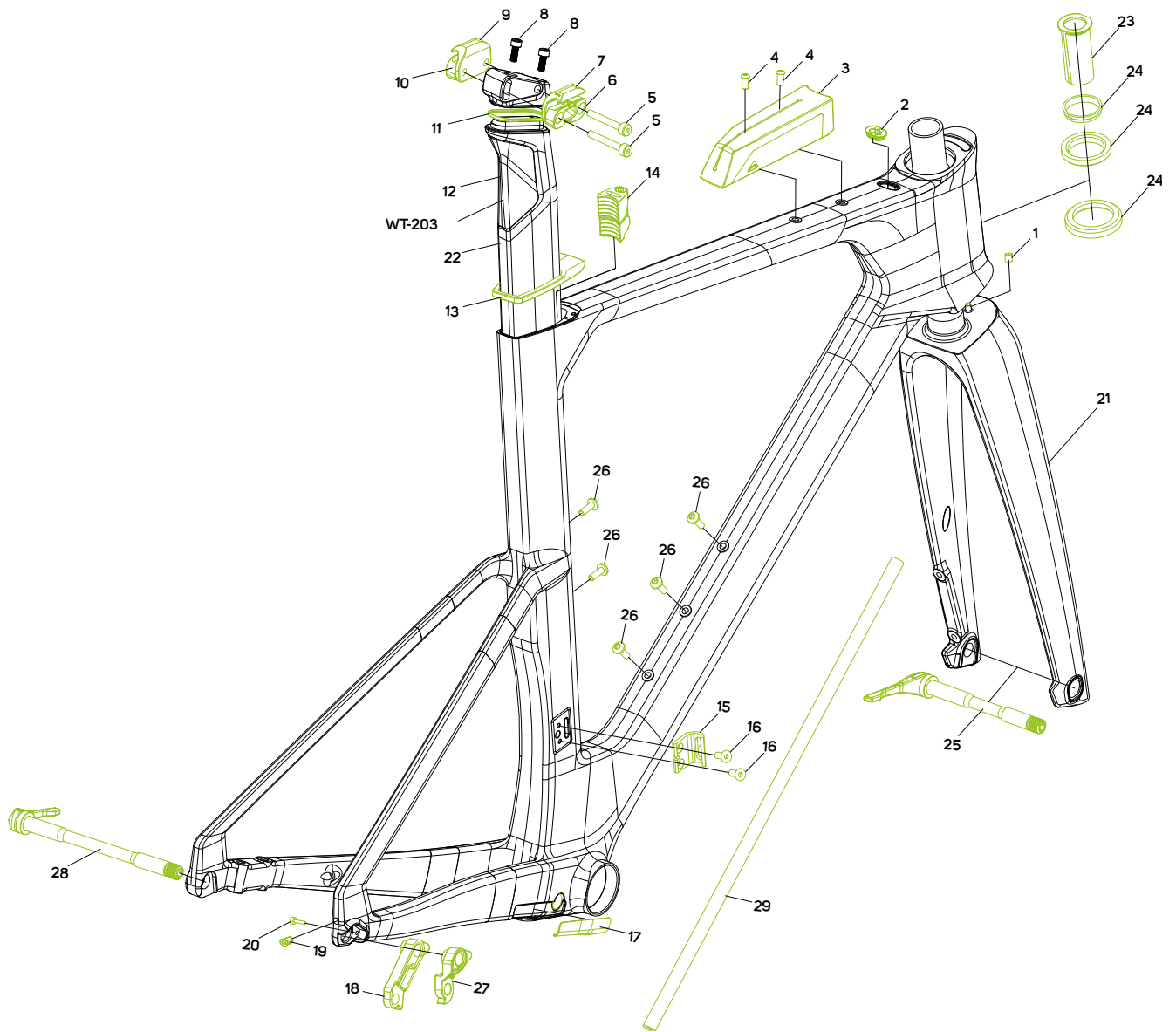


FRAME SPARE PARTS

TIME WARP TRI CF IV



No.	Item No.	Item	Detail information	Pieces	Torque Nm	No.	Item No.	Item	Detail information	Pieces	Torque Nm
1	A2161003037	BUMPER	for steering stop pin	1		17	A2322000042	PROTECTOR	for chain stay	1	
2	A2258000215	CABLE PLUG	for rear brake, front brake and Di2	1		18	A2311000103	RD HANGER	DH-067 for SHIMANO direct mount	1	
3	A2161000052	STORAGE BOX	for top tube	1		19	A2143000155	CABLE PLUG	for Di2	1	
4	A2298000061	SCREW	M5x0.8 L15mm	2	3-4	20	A2300000129	SCREW	M3x0.5 L10mm	1	2-3
5	A2300000259	SCREW	M6x1 L45mm	2	10-12	21	A2350001359	FORK		1	
6	A2248000030	CLAMP	for saddle rail; right outer part	1		22	A2073000552	SEATPOST	L300mm; with FLIP FLOP HEAD	1	
7	A2248000034	CLAMP	for saddle rail; right inner part	1		23	A2054000107	EXPANDER	for fork steerer ID 23.6mm	1	6-8
8	A2298000148	SCREW	M5xP08 L12mm	2	6-8	24	A2191000209	HEADSET	MERIDA WARP TT (MH-P03/MH-P22)	1	
9	A2248000035	CLAMP	for saddle rail; left inner part	1		25	A2002000103	THRU AXLE	EXPERT SL; L=120mm M12x1.5 TL=12mm	1	
10	A2248000031	CLAMP	for saddle rail; left outer part	1		26	A2298000059	SCREW	M5x0.8 L15mm	5	3-4
11	A2161000197	COVER	for FLIP FLOP HEAD gap	1		27	A2311000104	RD HANGER	DH-068 for ROAD-RD	1	
12	A2029000075	COVER	for seatpost	1		28	A2002000152	THRU AXLE	EXPERT SL; L=162.5mm M12x1.5 TL=12mm	1	
13	A2347000030	COVER	for seatpost clamp	1		29	A2029000037	TUBE	foam; ID6mm L 450mm	1	
14	A2247000155	CLAMP	for seatpost	1	4-5						
15	A2136000092	MOUNT	for FD	1							
16	A2298000357	SCREW	M4x0.7 L16mm	2	4-5						